

EVBox BusinessLine



Business charging solution for the EU

Up to 22 kW per connector

Charges 2 cars simultaneously on a double station

Durable, weatherproof design and integrated electrical protections


Efficiently distributes power via (dynamic) load balancing


Scalable to include up to 20 charging points per Hub-Satellite network

 Wi-Fi and 4G LTE connection


 MID-certified kWh meter

 Built-in RCBO

 6 mA DC leakage protection

 Tariff settings for public charging

 Remote maintenance

 Easy installation, service and maintenance

evbox.com



Technical features

Max charging capacity

Charge mode

Output power

Up to 22 kW per connector

Mode 3 (IEC 61851)

1-phase (32 A) or 3-phase (16 A or 32 A), 230V – 400V

Interfaces

Connectors

Information status

Session activation

1 or 2 Type 2 sockets (with shutter option)

LED ring

RFID / QR code / Autostart

Safety and connectivity

Electrical safety

Integrated RCBO 16 A or 32 A,

CCID 6 mA DC leakage detection per outlet

10 double stations or 20 single stations (20 connectors)

4G LTE-FDD CAT1 (B1/3/7/8/20) / 3G WCDMA (Band 1/8) / GSM (900/1800 Mhz)

Dual band Wi-Fi 2.4/5 GHz, Bluetooth 4.0 for configuration with the EVBox Connect app, GPS

GPS / Wi-Fi

OCPP 1.5 S / 1.6 S / 1.6 J

IEC 60529 / IP55 / IK08

-25°C to +50°C

Max. 95% RH, non-condensing

CE certified, RED Directive 2014/53/EU, EMC Directive 2014/30/

EU, Low Voltage Directive 2014/35/EU, RoHS Directive 2011/65/

EU (as amended by 2015/863/EU), EN/IEC 61851-1 (2017), EN/

IEC 61851-21-2 (2018), EN/IEC 61000-32 (2014), EN/IEC 61000-

3-3 (2013), EN 301 489-1 V2.2.0, EN 301 489-3 V2.1.1, EN 301

489-17 V3.2.0, EN 301 489-52 V1.1.0, EN 301 908-1 V11.1.1, EN

301 511 V12.5.1, EN 300 330 V2.1.1, EN 300 328 V2.1.1, EN 301

893 V2.1.1, EN 300 220-1 V3.1.1, EN 300 220-2 V3.1.1

S-Bus MID certified class B

Maximum cluster size

Mobile connectivity - Hub

Connectivity - Hub

Time synchronization - Hub

Communication protocol - Hub

Enclosure rating

Operating temperature

Operating humidity

Safety and compliance

Metering

Smart energy management

Adjusting max. current, charging profiles, dynamic load balancing (via MAX protocol)

Physical properties

Dimensions, mm (W x H x D)

600 x 255 x 205 mm (single socket)

600 x 255 x 410 mm (double socket)

Weight

10 kg excluding packaging (single connector)

12 kg excluding packaging (double connector)

Mounting

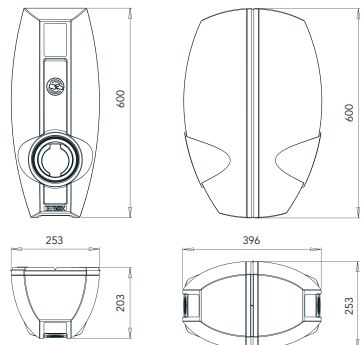
Housing

Cover colors

Wall or pole

Polycarbonate

RAL 7016 (dark grey), RAL 9016 (white), RAL5017 (blue)



Dimensions in mm

Copyright © 2020 EVBox Manufacturing B.V. EVBox® and the EVBox logo are registered trademarks. All rights reserved. EVBox has compiled this document to the best of its knowledge but does not warrant that all information provided is error-free; EVBox does not accept liability in that respect. All specifications are approximates only. The limited warranty conditions are stated in the applicable EVBox general terms and conditions. EVBPI_BL_EN_042020 © EVBox Manufacturing B.V.